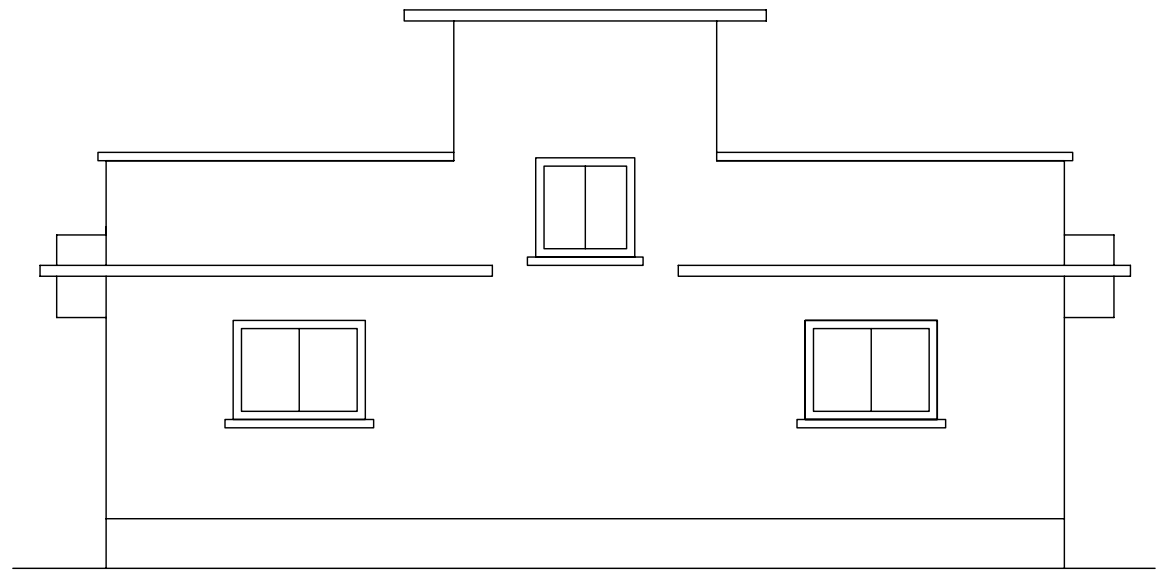
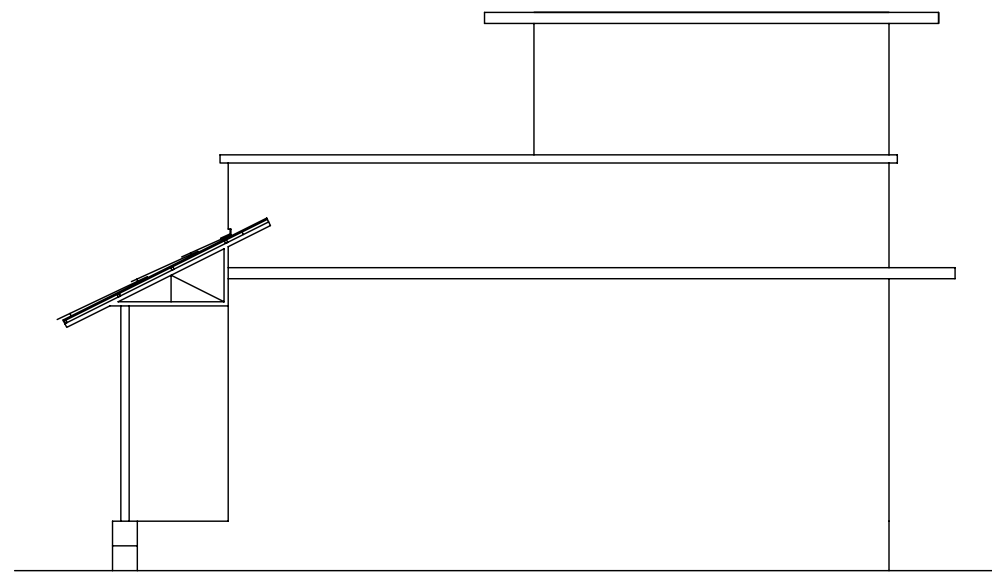


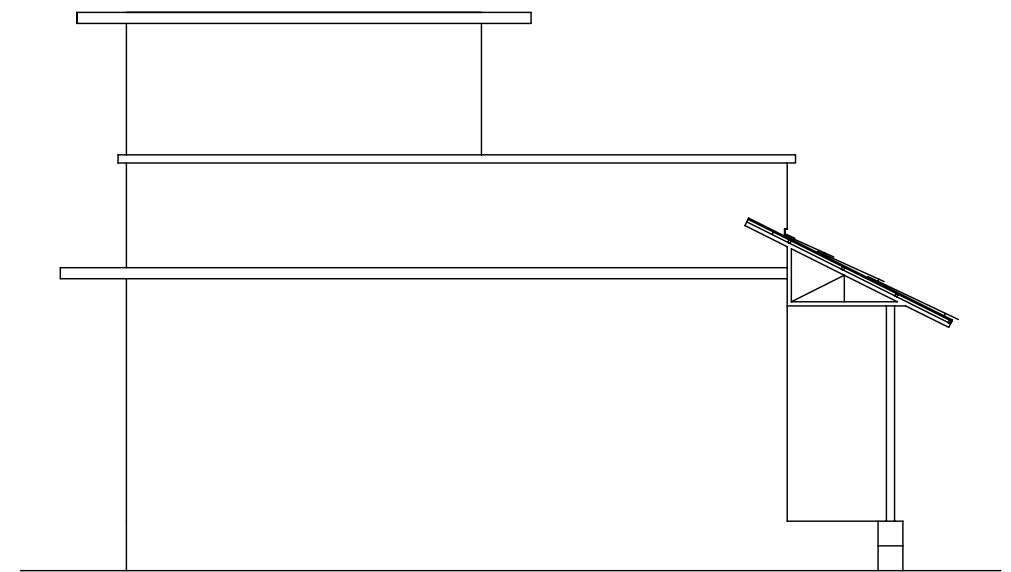
FRONT ELEVATION



BACK ELEVATION



RIGHT SIDE ELEVATION



LEFT SIDE ELEVATION

Chunnikhel , Kathmandu	D				Designed by :	SCALE: 	DWG NO :
	C				Drawn by :		
Residential Building	B				Checked by :	DATE : JULY, 2015	SHEET NO :
	A				Approved by :		PAGE NO :
	REV.	DATE	DESCRIPTION OF REVISION	APPROVED BY			