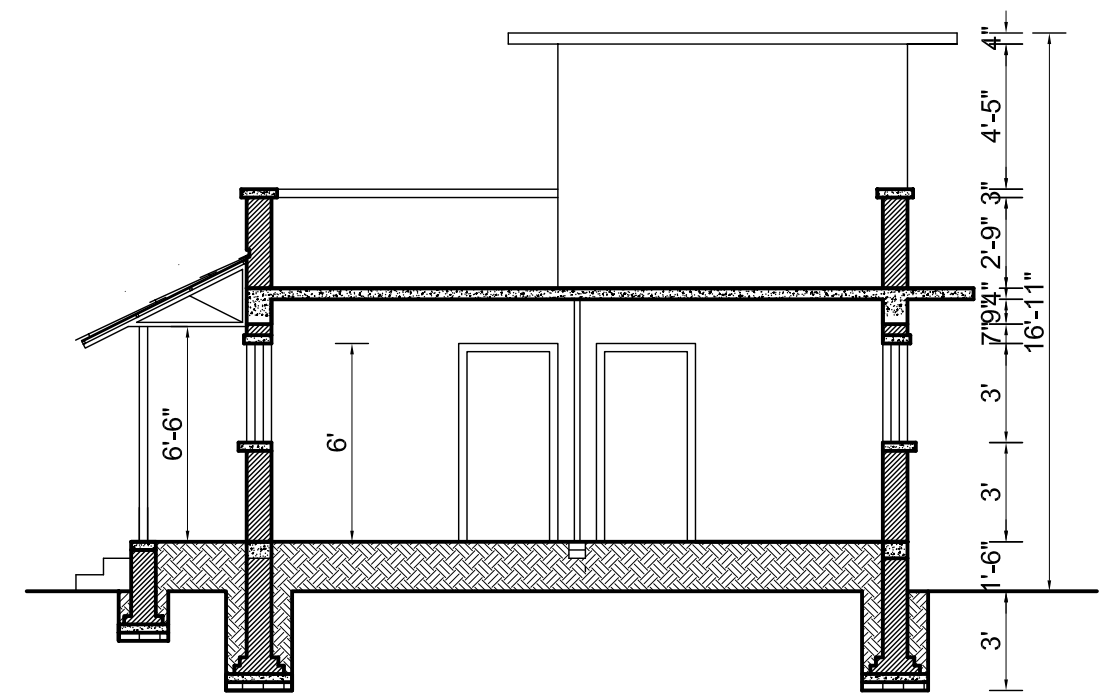
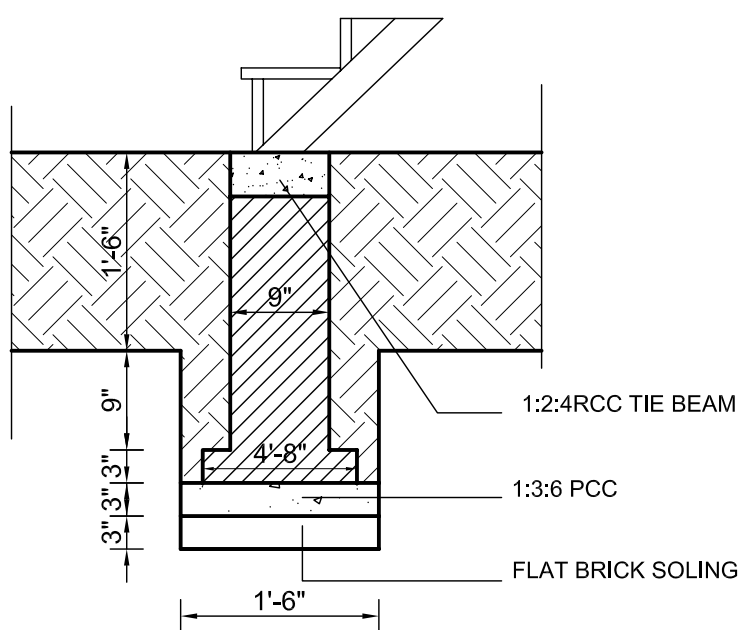


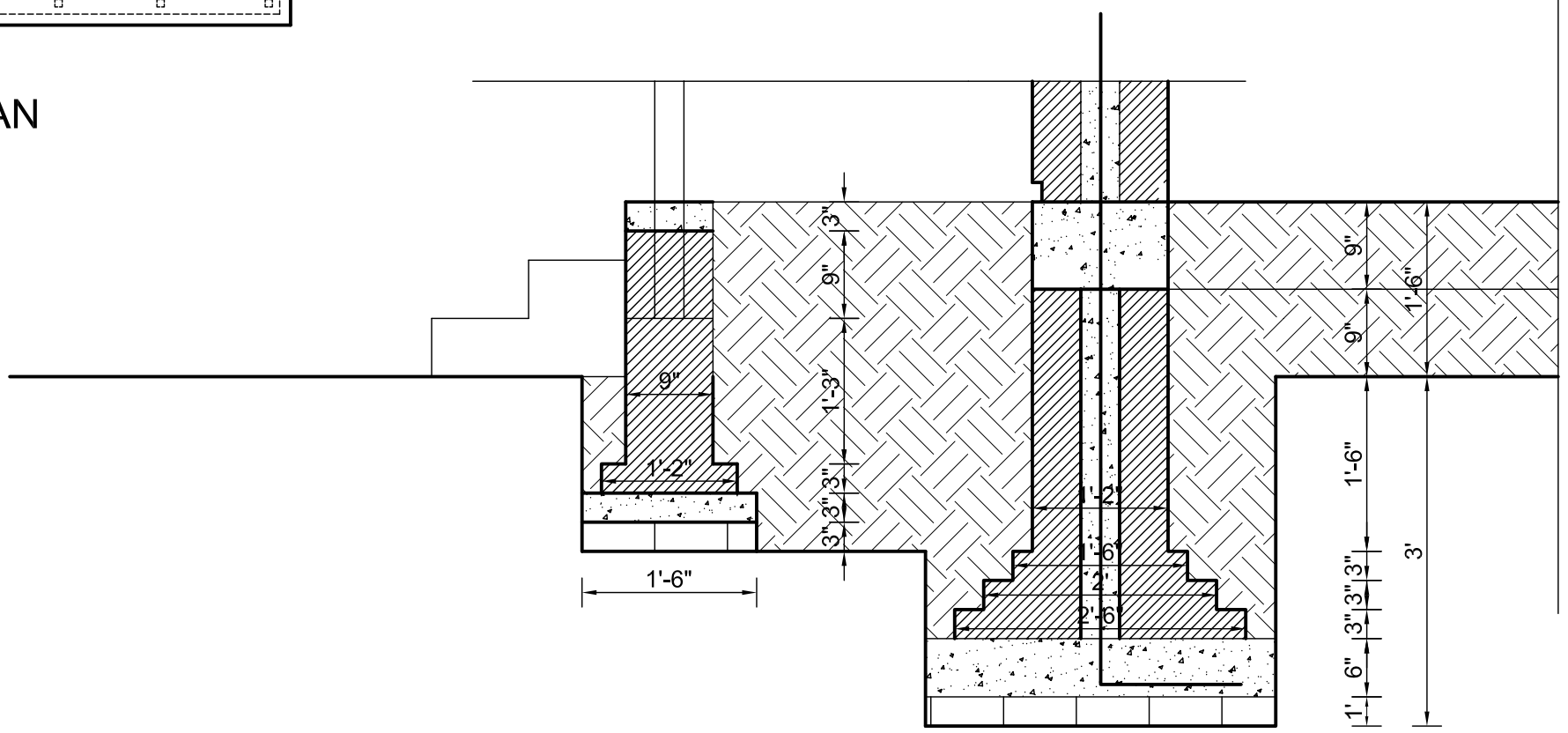
TRENCH PLAN



SECTION AT AA



DETAIL AT A



SECTION AT CC

Chunnikhel, Kathmandu		D			Designed by :	SCALE: 0 2 4 feet	DWG NO :
Residential Building		C			Drawn by :		
		B			Checked by :	DATE : JULY, 2015	SHEET NO :
		A			Approved by :		
REV.	DATE	DESCRIPTION OF REVISION		APPROVED BY			PAGE NO :